


# PRODUCT SHEET

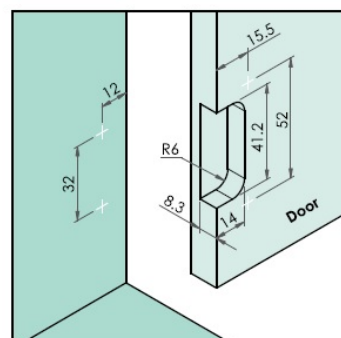
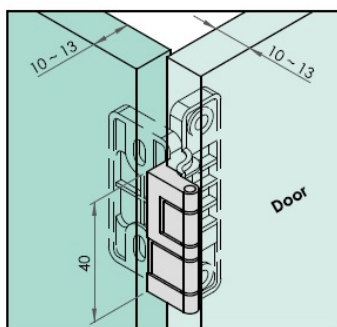
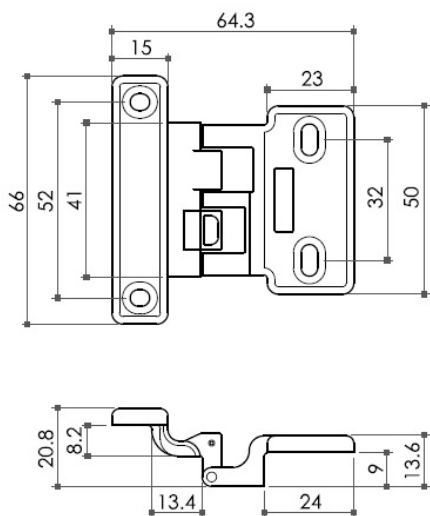
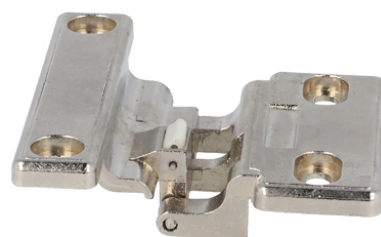
**Description:**

Wide Opening Hinge 240 DG,F/10-13mm Panel, NPL, 3,5mm Over- Lay, W/Catch, Zamak Body & Hardend Steel Axel

**Item number:**

15.04.100-0

Units	Box	Carton	HS Code	Barcode
Pcs.	50	200	8302100090	
				5704866469340



**SISO A/S**

Mileparken 11  
DK-2740 Skovlunde  
Denmark  
VAT: DK 24786013

Phone +45 45 830 900

www.siso.dk  
siso@siso.dk

Danske Bank  
Nytorv Branch  
Copenhagen  
SWIFT: DABADKKK

Account no.  
4180 3112 112936  
IBAN Account  
DK7230003112112936